



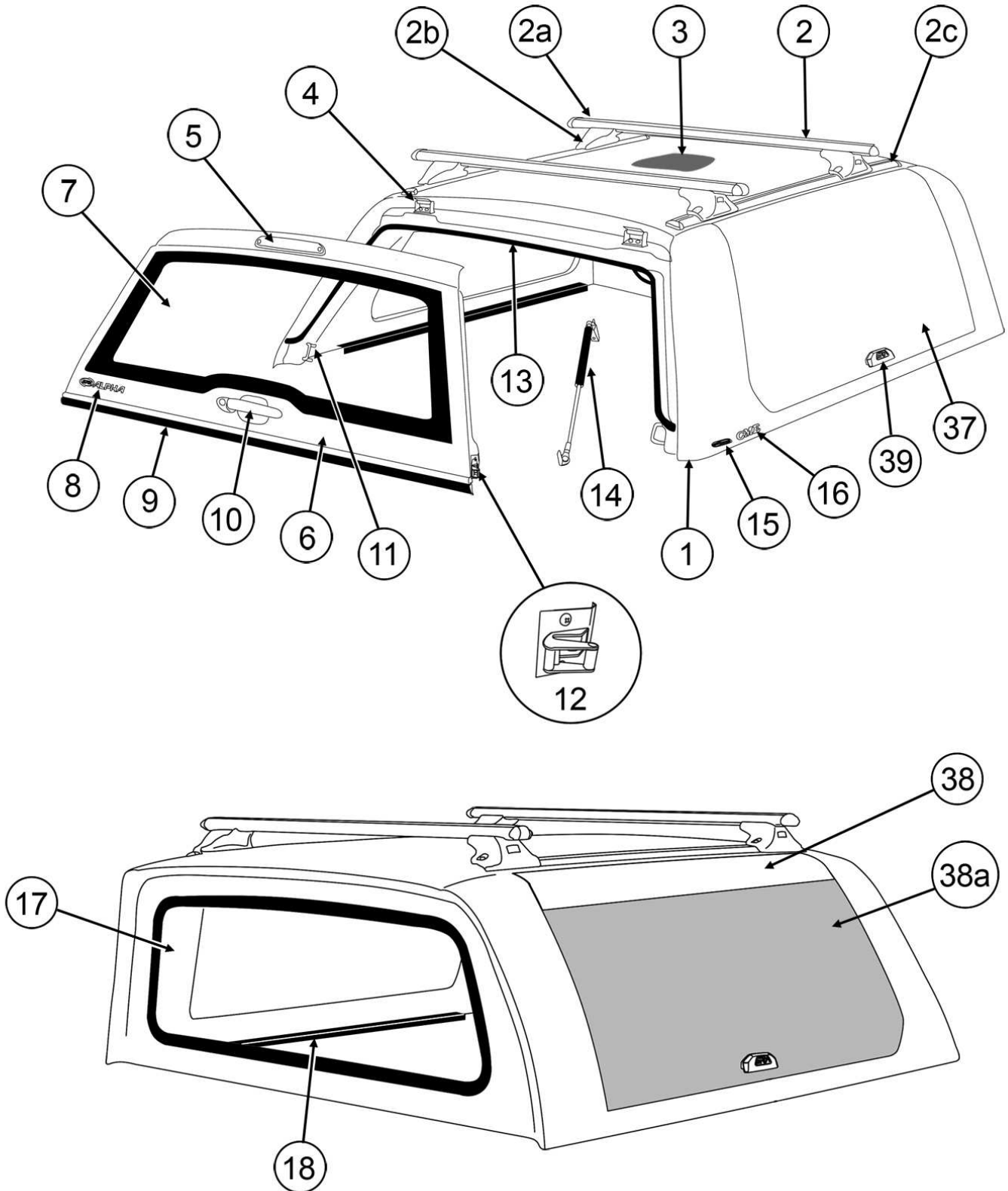
A NAME YOU CAN TRUST

ALPHA INNOVATION CO.,LTD.

1599 Moo1 Theparak Rd, T.Theparak A.Muang, Samutprakarn 10270, THAILAND.

Tel: (66-2) 385-3191, Fax: (66-2) 385-3192, <http://www.alphainnovation.com>

PART LIST FOR CME CANOPY





A NAME YOU CAN TRUST

ALPHA INNOVATION CO.,LTD.

1599 Moo1 Theparak Rd, T.Theparak A.Muang, Samutprakarn 10270, THAILAND.

Tel: (66-2) 385-3191, Fax: (66-2) 385-3192, <http://www.alphainnovation.com>

PART LIST FOR CME CANOPY

